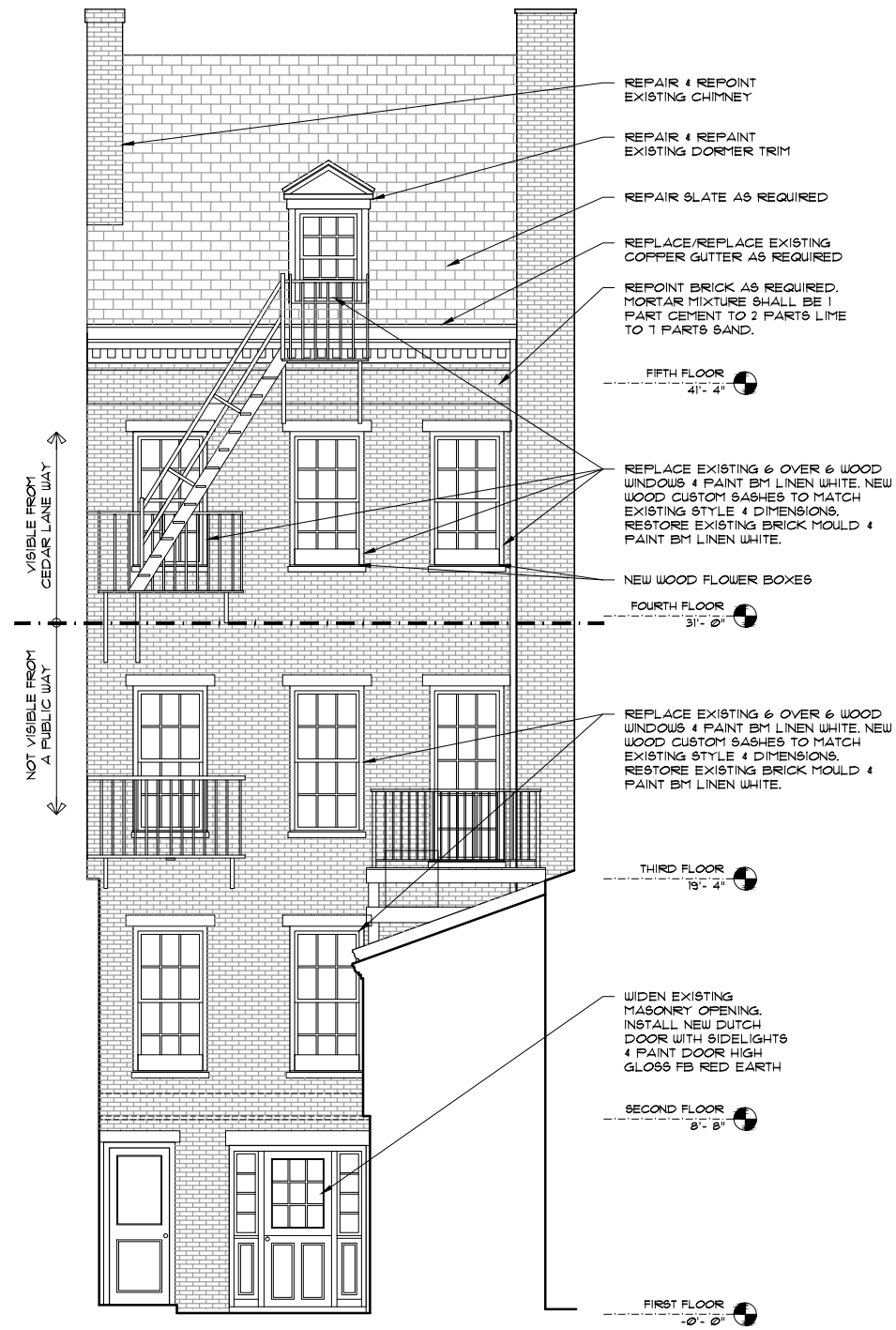
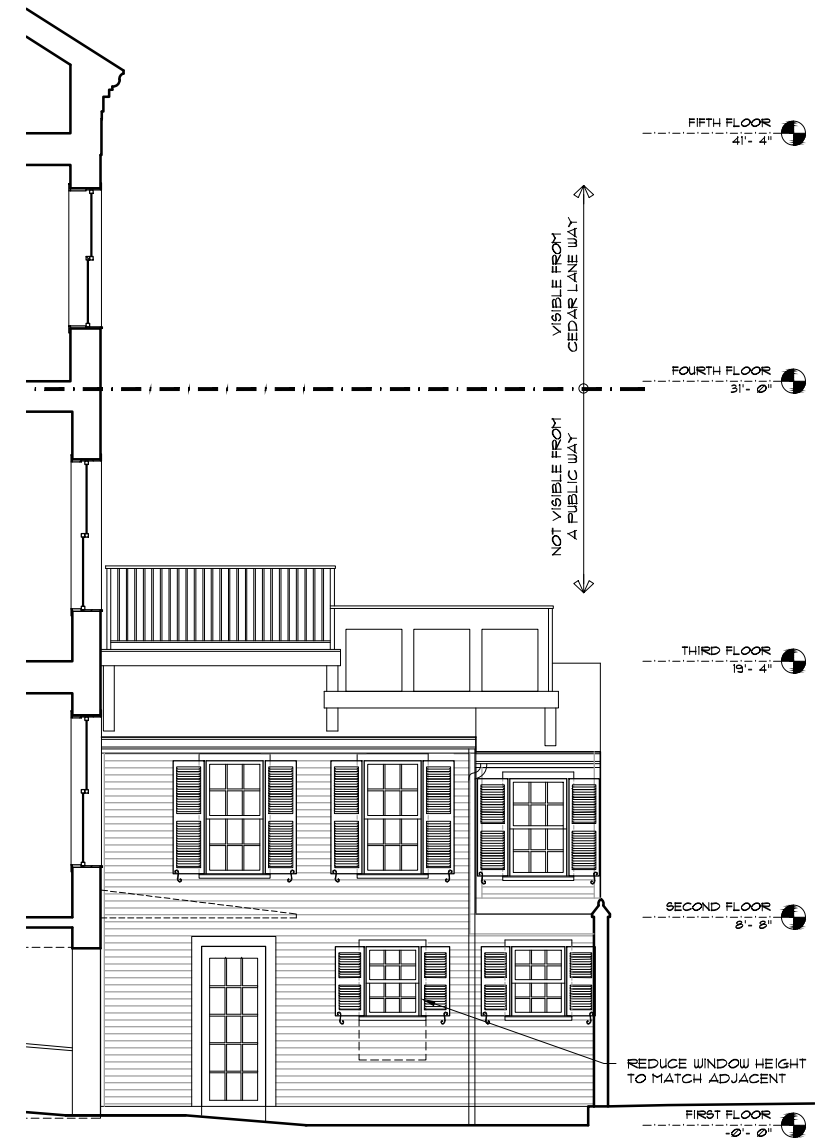


1 FRONT ELEVATION
FULL: 1/4" = 1'-0", HALF: 1/8" = 1'-0"



2 REAR ELEVATION
FULL: 1/4" = 1'-0", HALF: 1/8" = 1'-0"



3 REAR-SIDE ELEVATION
FULL: 1/4" = 1'-0", HALF: 1/8" = 1'-0"

RESTORE & PAINT BM LINEN WHITE

RESTORE TRANSOM WINDOW & PAINT BM LINEN WHITE

ALARM BELL AND STOBE COMBINATION

RESTORE EXISTING DOOR PAINT HIGH GLOSS FB RED EARTH

RESTORE EXISTING SIDELIGHTS & TRANSOM BEYOND

INSTALL TWO NEW SIMPLE CAST IRON HANDRAILS W/ LAMBS TONGUE ENDS

FIRE DEPARTMENT POTTER ROEMER SIAMESE CONNECTION 36" ABOVE SIDEWALK



PROPOSED HANGING SIGN
- REUSE EXISTING 48" BRACKET
- NEW SIGN DESIGN TBD (SAME SIZE OR SMALLER THAN EXISTING 42"x36")

STRIP BLACK PAINT IF FEASIBLE OR PAINT TO MATCH EXISTING STONE

EXISTING SIGN BRACKET LOCATION. NEW SIGN SHALL USE EXISTING HARDWARE & HOLES

RESTORE EXISTING ORIGINAL WINDOWS & PAINT BM LINEN WHITE. RESTORE EXISTING BRICK MOULD & PAINT BM LINEN WHITE. ADD STORM WINDOWS & PAINT BM LINEN WHITE.

NEW WOOD WINDOW BOXES

NEW SIGN DESIGN IN EXISTING LOCATION. NEW SIGN SHALL USE EXISTING HARDWARE & HOLES

REPLACE EXISTING FIXED WINDOWS WITH TRUE DIVIDED 2 OVER 2 CASEMENT WINDOWS. BRICK MOULD TO MATCH EXISTING. 7/8" MUNTINS TO MATCH NEW DOUBLE HUNG WINDOW DETAIL

REPAIR EXISTING CRACK IN GRANITE

SECOND FLOOR
8'-8"

CAUTION SIGN FOR LOW HEADROOM TO BE DISCUSSED

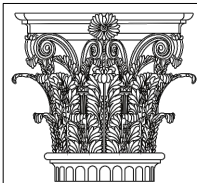
SHAVE EXISTING SLOPED "OUCH" ON STONE. EXISTING STONE OUTLINE TO REMAIN

FLUSH OUTLET DRAIN. SEE ELKHART BRASS MFG SPEC SHEET

INSTALL NEW DOOR TO GARDEN LEVEL & PAINT BM BLACK. NEW LEVER & LOCK IN NON-LACQUERED BRASS (BALDWIN 5125 LEVER)

1 ENLARGED FRONT ELEVATION
FULL: 1" = 1'-0", HALF: 1/2" = 1'-0"

71 CHARLES STREET
BOSTON, MA 02114



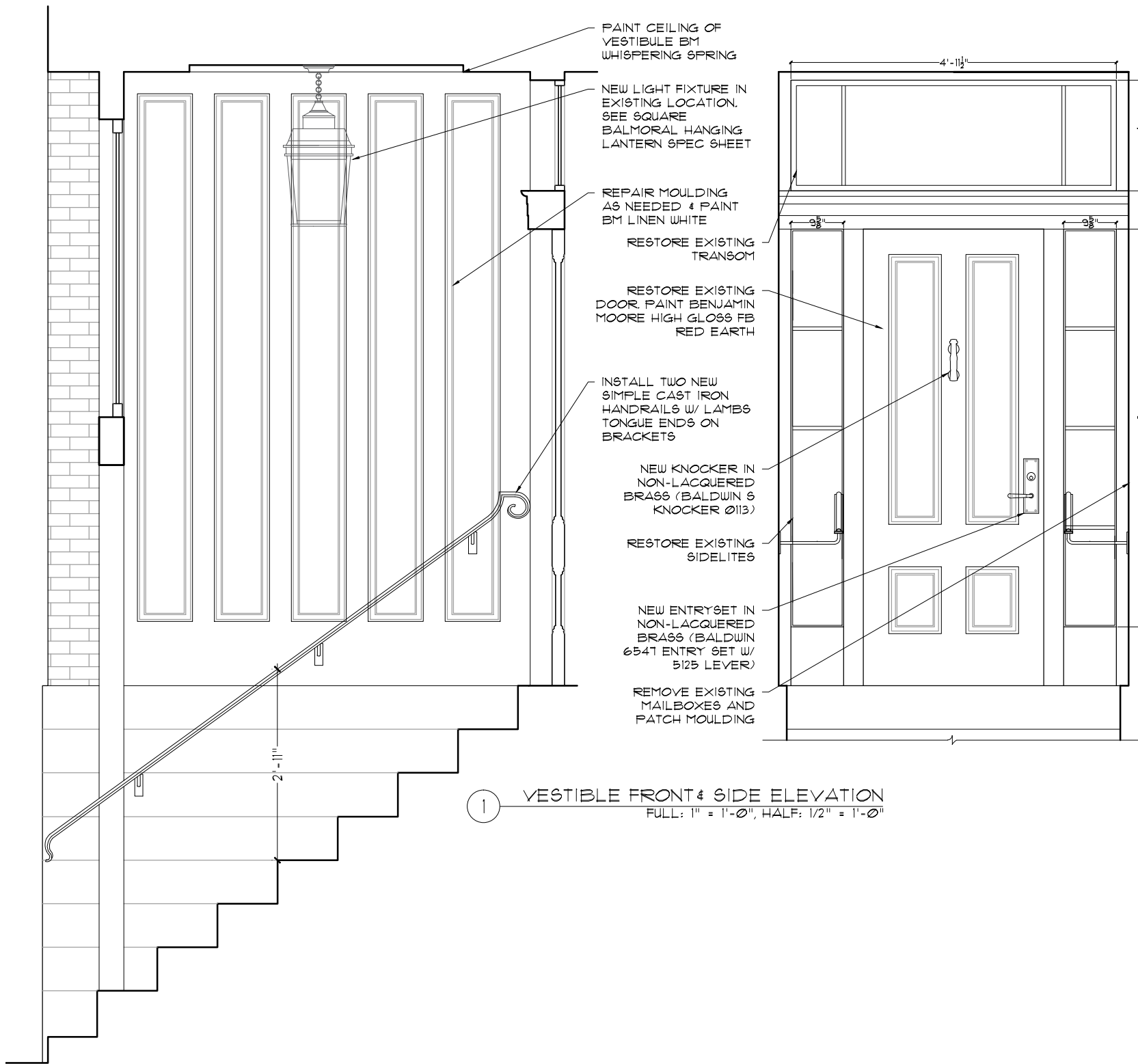
PAULI & URIBE ARCHITECTS LLC

Classic Architecture
Interior Design
121 Mount Vernon Street
Boston, Massachusetts, 02108
617 227 0954 • www.pauli-uribe.com

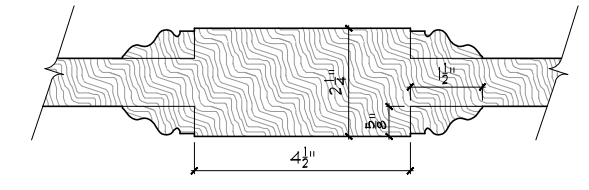
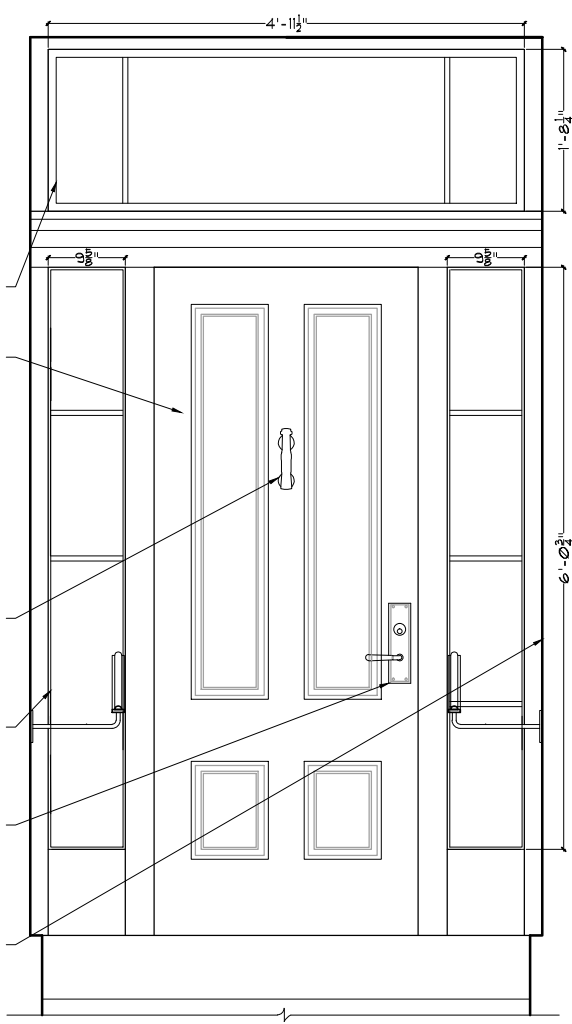
SHEET TITLE:
PROPOSED ENLARGED FRONT ELEVATION
DATE: FEBRUARY 13, 2020
SCALE: AS NOTED
DRAWN: JGUR & RJP
CHECKED: JGUR & MZF

SHEET NO.

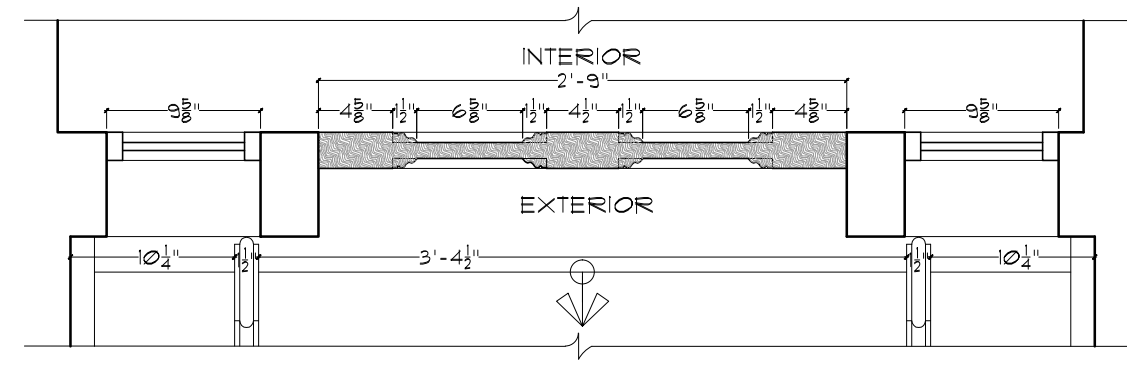
A-2



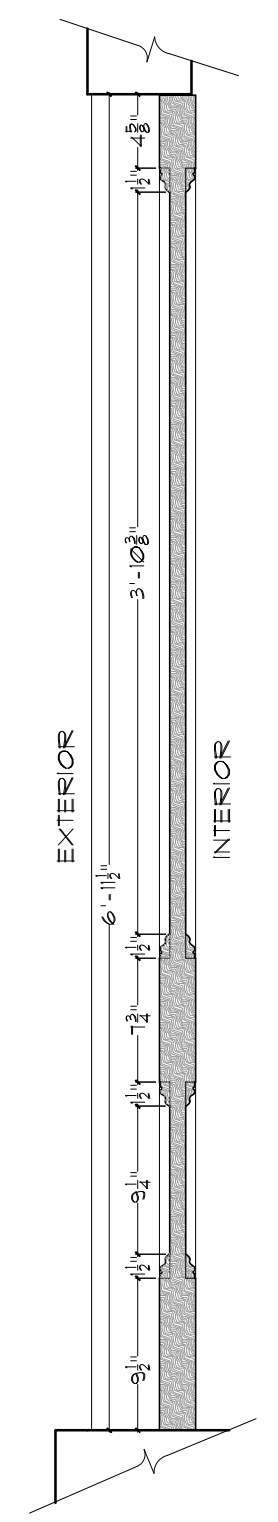
① VESTIBULE FRONT & SIDE ELEVATION
FULL: 1" = 1'-0", HALF: 1/2" = 1'-0"

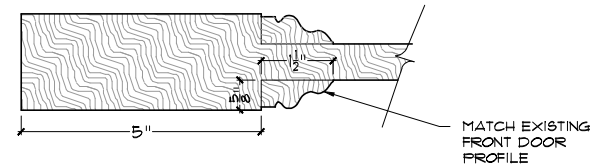


③ DOOR MOULDING DETAIL
FULL: 6" = 1'-0", HALF: 3" = 1'-0"

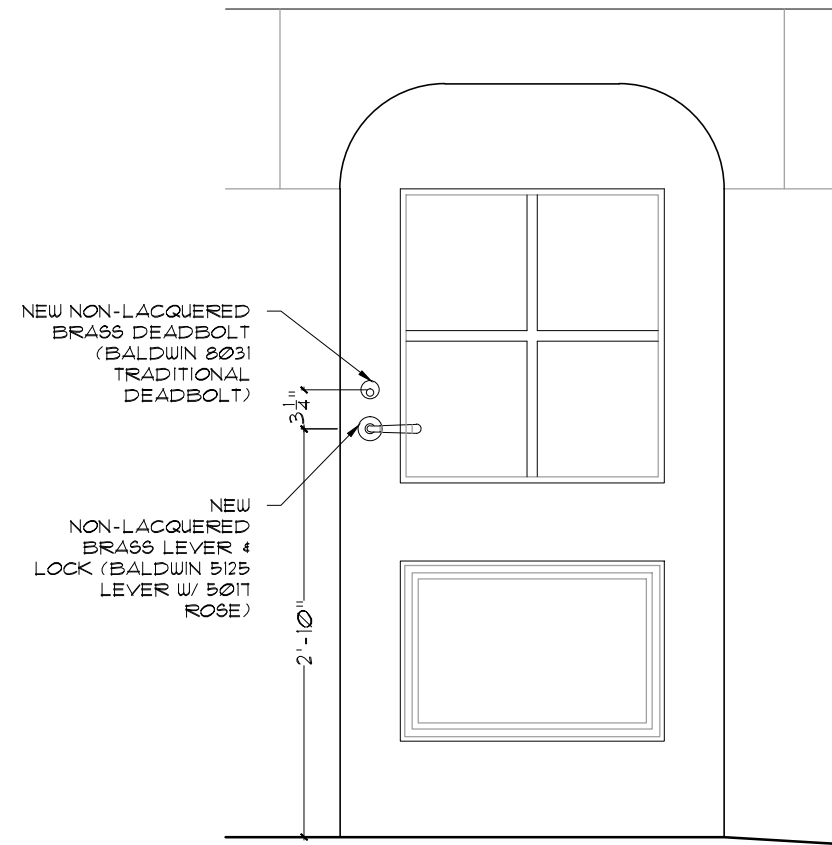


② PLAN & SECTION DETAILS
FULL: 2" = 1'-0", HALF: 1" = 1'-0"

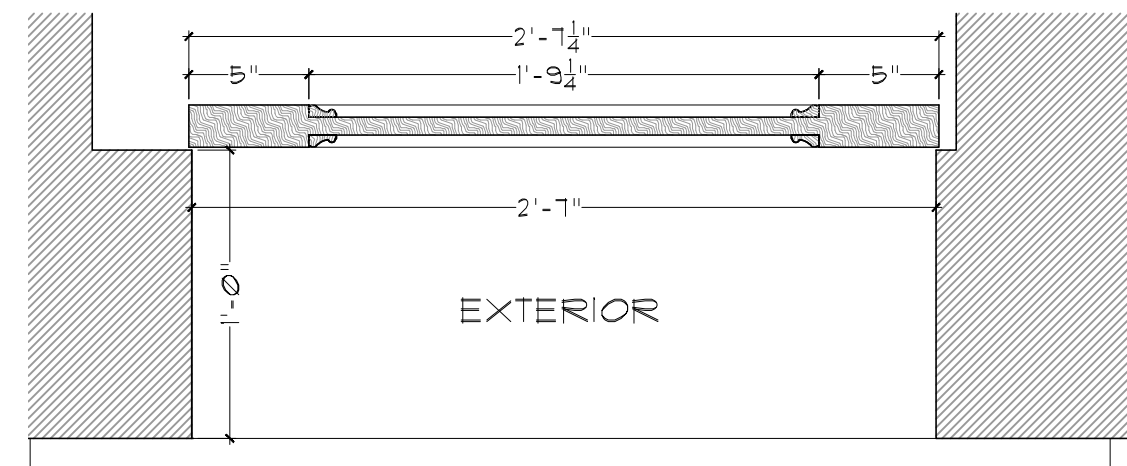




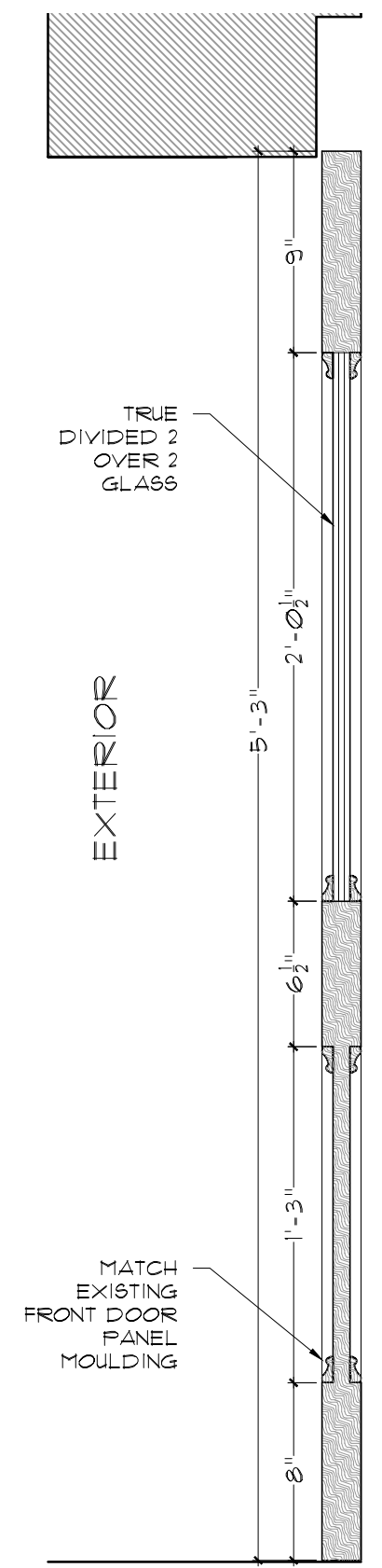
④ GARDEN LEVEL DOOR DETAIL
 FULL: 6" = 1'-0", HALF: 3" = 1'-0"



① GARDEN LEVEL DOOR ELEVATION
 FULL: 1-1/2" = 1'-0", HALF: 3/4" = 1'-0"



② GARDEN LEVEL DOOR PLAN
 FULL: 3" = 1'-0", HALF: 1-1/2" = 1'-0"



③ GARDEN LEVEL DOOR SECTION
 FULL: 3" = 1'-0", HALF: 1-1/2" = 1'-0"

PAULI & URIBE ARCHITECTS LLC
 Classic Architecture Interior Design
 121 Mount Vernon Street
 Boston, Massachusetts, 02108
 617 227 0954 • www.pauli-uribe.com

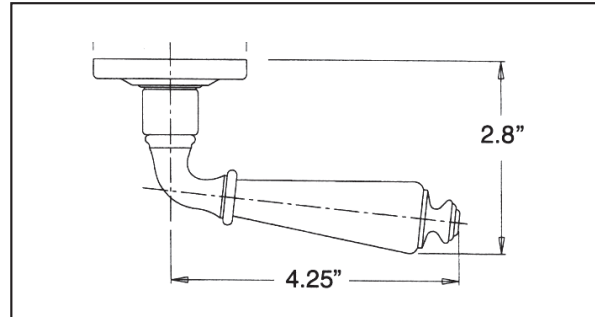
71 CHARLES STREET
 BOSTON, MA 02114

| | |
|--|----------------------|
| SHEET TITLE: PROPOSED GARDEN LEVEL DOOR DETAILS | SHEET NO. A-4 |
| DATE: FEBRUARY 13, 2020 | |
| SCALE: AS NOTED | |
| DRAWN: JGUR & RJP | |
| CHECKED: JGUR & MZF | |

GARDEN LEVEL DOOR HARDWARE SPECIFICATION

5125 ESTATE LEVER

SPECIFICATIONS



- > Accessibility Code (ADA) A117.1 for all levers.
- > Certified by Underwriters Laboratories (UL) for use on fire doors up to three-hour rating
- > U L10C / UBC 7-2 (1997) Positive Pressure Rated, UL10B Pressure Rated
- > Material: Solid Brass

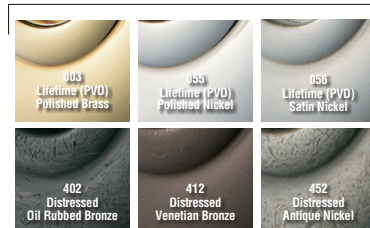
SHOWN WITH ROSE 5017



TIER 1 FINISHES



TIER 2 FINISHES



BALDWIN®

TRADITIONAL DEADBOLT

Model #: 8031.031

★★★★★ Write a review Ask a question

AVAILABLE FINISHES:

SELECTED: NON-LACQUERED BRASS



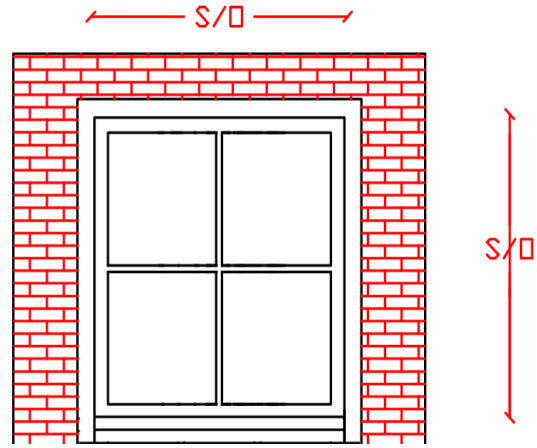
WHERE TO BUY

ADD TO WISH LIST

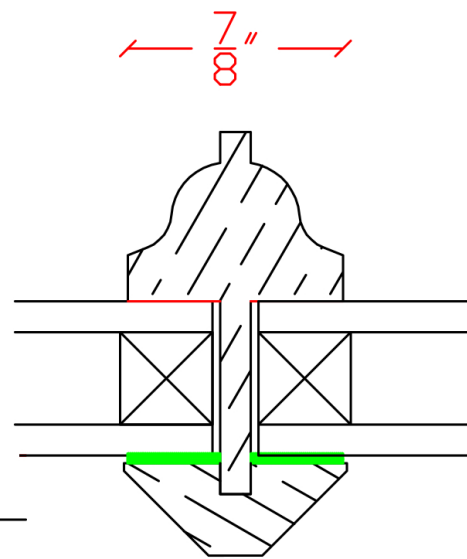


GARDEN LEVEL WINDOW SPECIFICATIONS

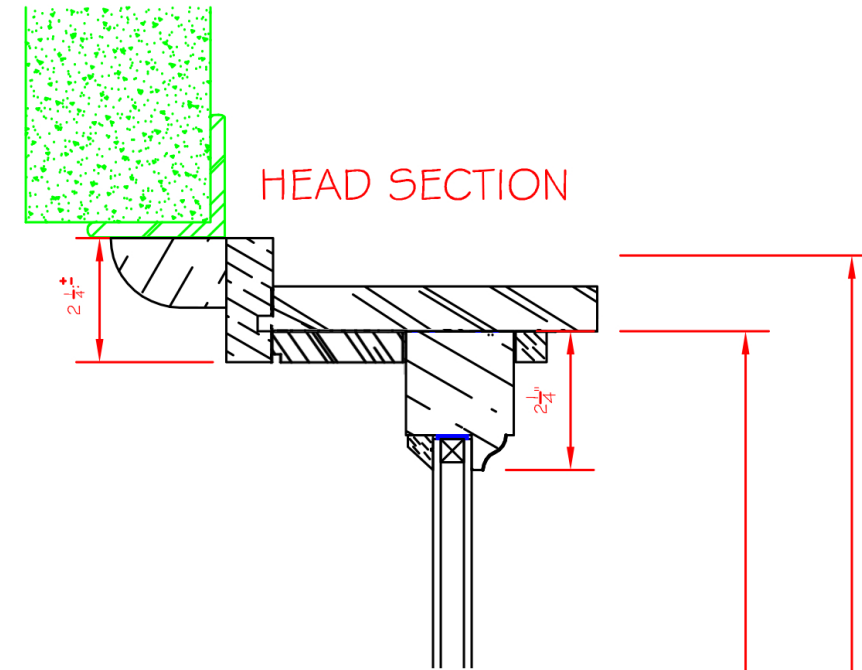
JB PROPER BOSTONIAN WINDOW UNIT



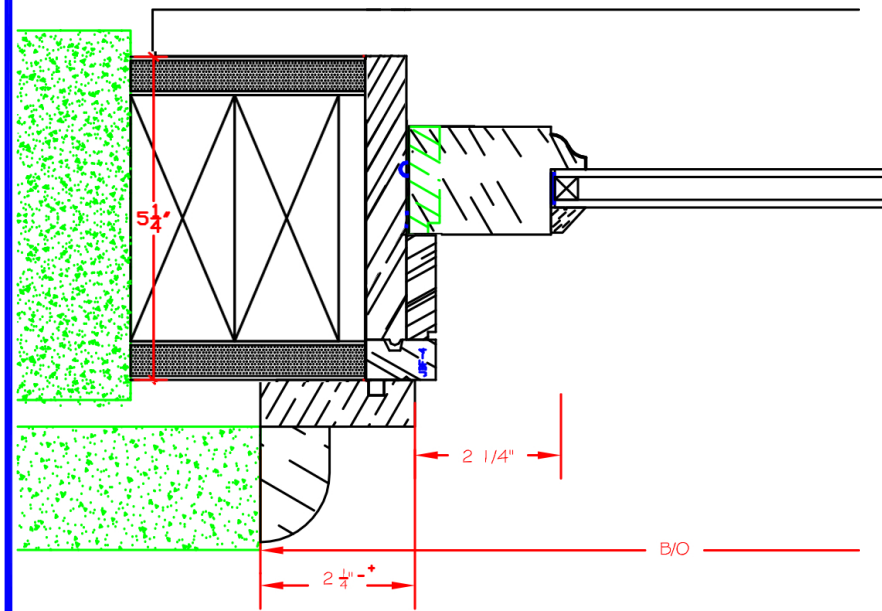
- NOTES:
- MATCH EXISTING BRICK MOULD
 - TYPICAL FIXED WINDOW DETAIL
 - SEE SHEET A-1 FOR WINDOW ELEVATION



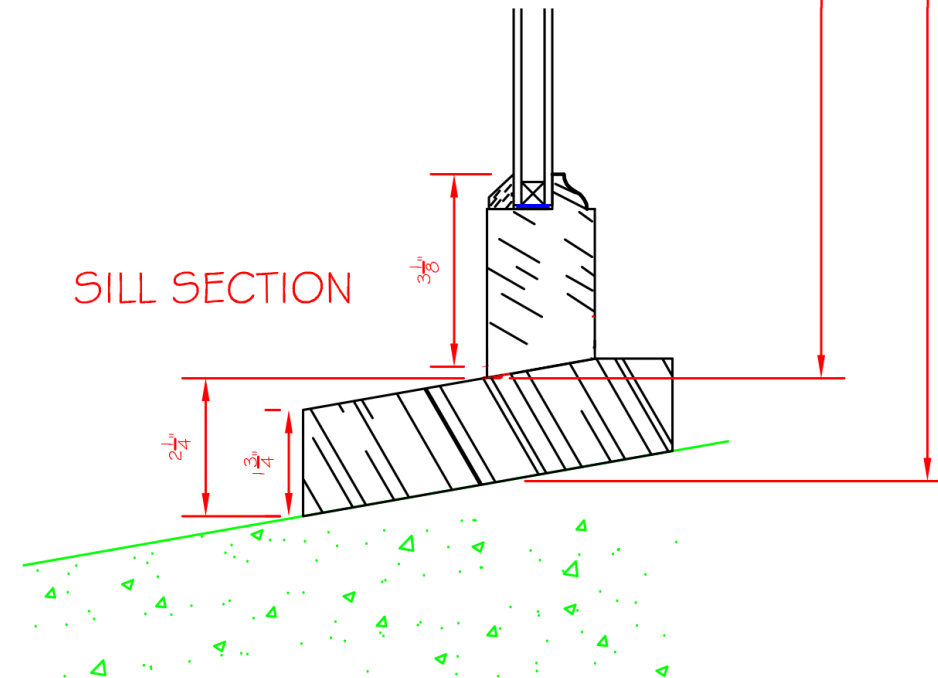
T.D.L. BAR
FULL SCALE



HEAD SECTION



JAMB SECTION



SILL SECTION

SHEET 1

OF 1

JBPB REPL/UNIT

DEALER: JB SASH & DOOR CO., INC.

NUMBER: DATE:

DRAWN: CHECK:

FRONT DOOR LANTERN SPECIFICATIONS

1/23/2020

John Rosselli Antiques

JOHN ROSSELLI
ANTIQUES

Heritage • Antiques • Reproductions • Fabric • Events • Contact Us



Inventory #: 618

Description: Square Balmoral Hanging
Lantern Four Candelabra Bulbs max
60w Each

Height: 24"

Width: 13"

Depth: 13"

[Click image to view maximum size](#)

Back

*Antique linen
Benj. White*

FIRE DEPARTMENT SPECIFICATIONS

BUILDING CONNECTIONS

FLUSH OUTLET



BUILDING CONNECTIONS

12-17

| Type | NPT INLET SIZE (Inches) | OUTLETS | | | BODY TYPE | MEASUREMENTS (Inches) | | | | | | | | | | AVAILABLE ESCUTCHEON LETTERING | | FINISH | Weight (Lbs.) | MODEL | FIGURE | FM APPROVED | | |
|-----------------------|-------------------------|------------------------------|---|---|-----------|-----------------------|---------|-------|--------|--------|--------|--------|--------|--------|---------|--------------------------------|--------------|--------|---------------|------------|------------|-------------|----------------|-----------------|
| | | Number of 2.5" M NHT Outlets | | | | Straight 90° | A | B | C | D | E | F | G | H | J | Pump Test | Wall Hydrant | | | | | | Polished Brass | Polished Chrome |
| | | 1 | 2 | 3 | | | | | | | | | | | | | | | | | | | | |
| Hydrant | 2½ | • | | | | 7½ | | | 3¼ | | | | | | | s | s | o | 6¾ | 152 2.5" | 1 | | | |
| | | • | | | | 10½ | | | 3¼ | | | | 7 | | | s | s | o | 9¾ | 162 2.5" | 2 | | | |
| | 3 | • | | | | | 7½ | | | 3¼ | | | | | | s | s | o | 5¾ | 152 3" | 1 | | | |
| | | • | | | | | 10½ | | | 3¼ | | | 7 | | | s | s | o | 8¾ | 162 3" | 2 | | | |
| | | • | | | s | | 13 7/16 | 7½ | | | | 5 | 6 7/16 | 8 7/16 | 11 1/4 | | s | s | o | 31 | 163 4" ST* | 3 | • | |
| 4 | • | | | o | | 13 7/16 | 7½ | 3 7/8 | 3 7/16 | 6 3/16 | 5 | 6 7/16 | 5 7/8 | 11 1/2 | | s | s | o | 28 3/4 | 163 4" 90* | 4 | • | | |
| | • | | | s | | 13 7/16 | 7½ | | | | 7 1/2 | 8 | 8 7/16 | 11 1/2 | | s | s | o | 35 1/4 | 163 6" ST* | 3 | • | | |
| Pump Test Connections | 4 | • | | | s | | 12 | 7 7/8 | 4 7/32 | 3 7/16 | 4 | 7 1/2 | 7 7/8 | 6 7/32 | | | s | s | o | 32 1/4 | 163 6" 90* | 4 | • | |
| | | • | | | s | | 13 7/16 | 7½ | | | | 5 | 6 7/16 | 8 7/16 | 11 1/4 | | s | s | o | 31 | 163P 4" ST | 3 | • | |
| | | • | | | s | | 13 7/16 | 7½ | 3 7/8 | 3 7/16 | 6 3/16 | 5 | 6 7/16 | 5 7/8 | 11 1/2 | | s | s | o | 28 3/4 | 163P 4" 90 | 4 | • | |
| | 6 | • | | | s | | 13 7/16 | 7½ | | | | 7 1/2 | 8 | 8 7/16 | 11 1/2 | | s | s | o | 35 1/4 | 163P 6" ST | 3 | • | |
| | | • | | | s | | 13 7/16 | 7½ | 4 7/32 | 3 7/16 | 4 | 7 1/2 | 7 7/8 | 7 3/2 | 12 | | s | s | o | 32 1/4 | 163P 6" 90 | 4 | • | |
| | | • | | | s | | 20 7/8 | 6 7/8 | | | | 7 7/8 | 6 7/8 | 9 1/2 | 17 7/16 | | s | s | o | 68 | 167-WP | 5 | • | |
| | | | | s | | 20 1/4 | 6 7/8 | | | | 7 1/4 | 8 7/16 | 9 1/2 | 17 1/4 | | s | s | o | 70 1/2 | 167-WP 90 | 6 | • | | |

Key s = standard o = option
* Can order body separately.

ADDITIONAL INFORMATION

- Bodies rated for 175 psi (12.1 bar).
- Each 2½" NHT outlet has a rated flow of 250 gpm (946 lpm).
- Supplied with cap(s) (#310) and chain(s).

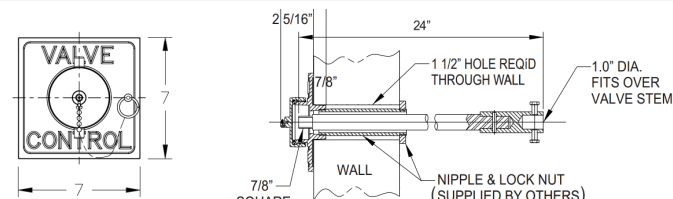
THREADS

Unless otherwise noted, all hose threads are NHT. See index T-13 for available optional threads.

OTHER PRODUCTS

- See page 13-20 for Flush 4-Way Outlet Connections.
- 2½" NPT nipple required for all 163, 163P and 167 WP models. Elkhart Brass does not supply.
- On the 163 and 163P, the body is roughed in during construction; escutcheon and nipple assemblies are installed after construction. Elkhart Brass personnel can help with construction installation information.

OPTIONS



164

- 164** – A cast brass valve control for use with Elkhart's model 163 is available. The 164 comes with a 7/8" square steel extension rod that is 24" long and has a special coupling for attaching to stem of gate valve. Additionally, a cap, chain and 7" square escutcheon are included. Please specify polished brass or polished chrome-plated. (Note: a 2½" hole is required in the installation wall.)

- 480** – Tee handle used with 164 control valve.

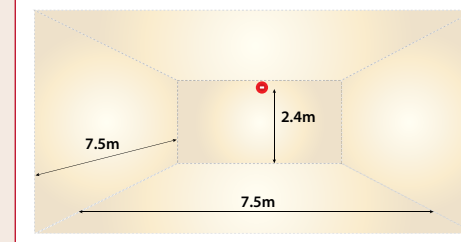
Pulse Alert
TECHNOLOGY

Sonos Pulse Wall - Red Flash

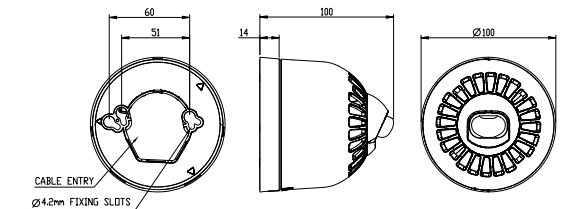
Sonos Pulse Wall - Red Flash

Sonos Pulse wall mounted Visual Alarm Devices are available as fire beacons or combined sounder beacons. With an EN54-23 approved coverage pattern of W-2.4-7.5, each Sonos Pulse wall mounted device can be mounted up to 2.4m high and can cover an 7.5m x 7.5m square room with a single device.

EN54-23 Coverage: W-2.4-7.5



Dimensions - Shallow Base



| Specifications | Beacons | Sounder Beacons |
|--------------------|------------------|------------------|
| Voltage | 17-60V DC | 17-60V DC |
| Current @ 0.5Hz | 20mA | 25.1mA |
| Current @ 1Hz | 40mA | 45.1mA |
| Flash Colour | Red | Red |
| Body Colour | Red or White | Red or White |
| Ingress Protection | IP65 (Deep base) | IP65 (Deep base) |
| Operating Temp. | -25°C to +70°C | -10°C to +55°C |
| Sound Output | N/A | 97dB(A) |

| Feature | Benefit |
|---------------------------|--|
| Conforms to EN54-23 | Exceeds the illumination requirements of EN54-23 |
| Pulse Alert™ Technology | Patented electronic design maximises system efficiency by minimising power consumption |
| 7.5m Coverage volume | Reduces the number of devices required; most rooms can be protected with a single device |
| Wire to Base Technology | Installation is quick and simple with mounting and wiring made only to the base, the head clicks on to the base during commissioning |
| Simple Upgrade | Sonos Pulse VADs share the same base mounting and wiring as previous versions, making the transition to 'Pulse' versions as simple as possible |
| Optimum Performance Level | Pulse Alert™ Technology enables the coverage pattern to be fixed at the optimum performance level |
| Synchronised Flash | Sonos Pulse VADs protect everyone including people prone to photosensitive epilepsy |
| No Surge Current | Eliminates power surges during system start up |
| Weatherproof to IP65 | Surpasses the Ingress Protection requirements of EN54-23 making them suitable for a wide variety of environmental conditions |