

REV.	DATE	DESCRIPTION

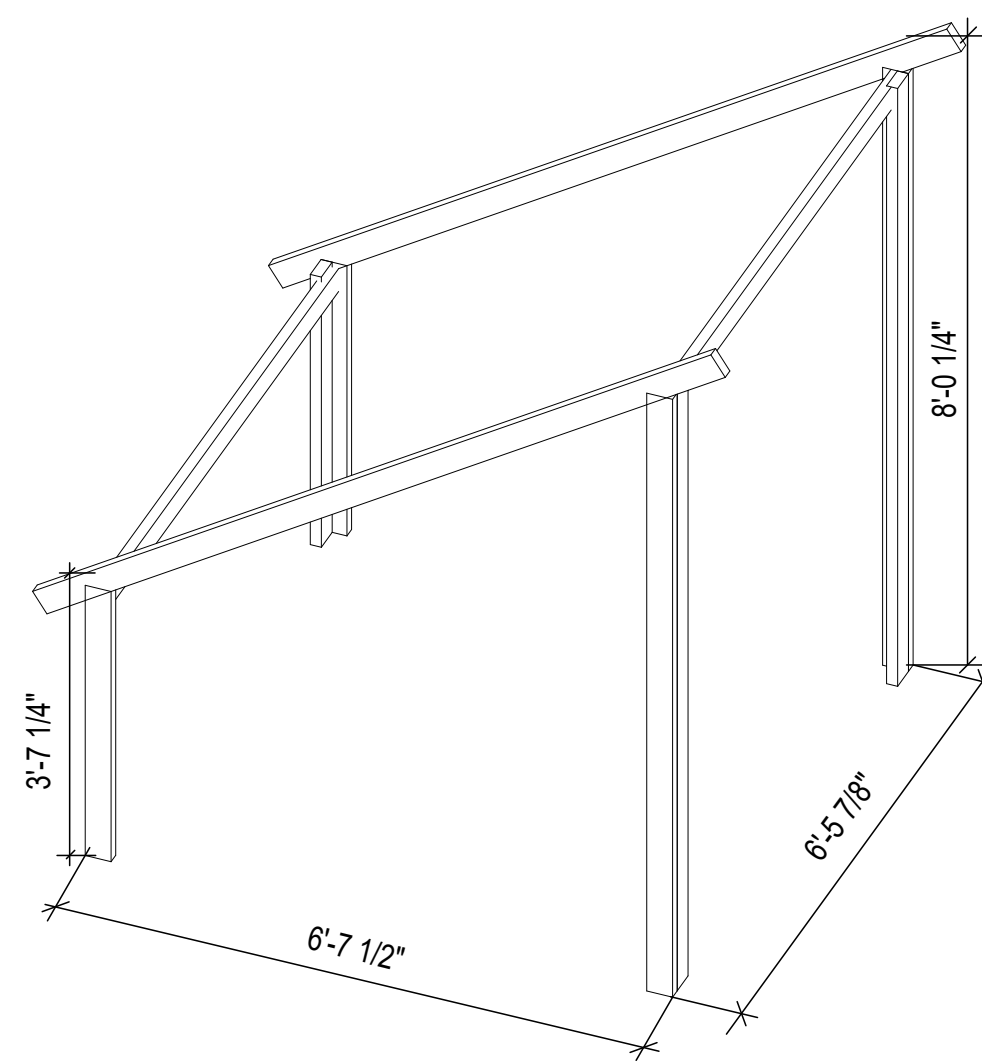
PROJECT STATUS

EXISTING AND PROPOSED PLANS

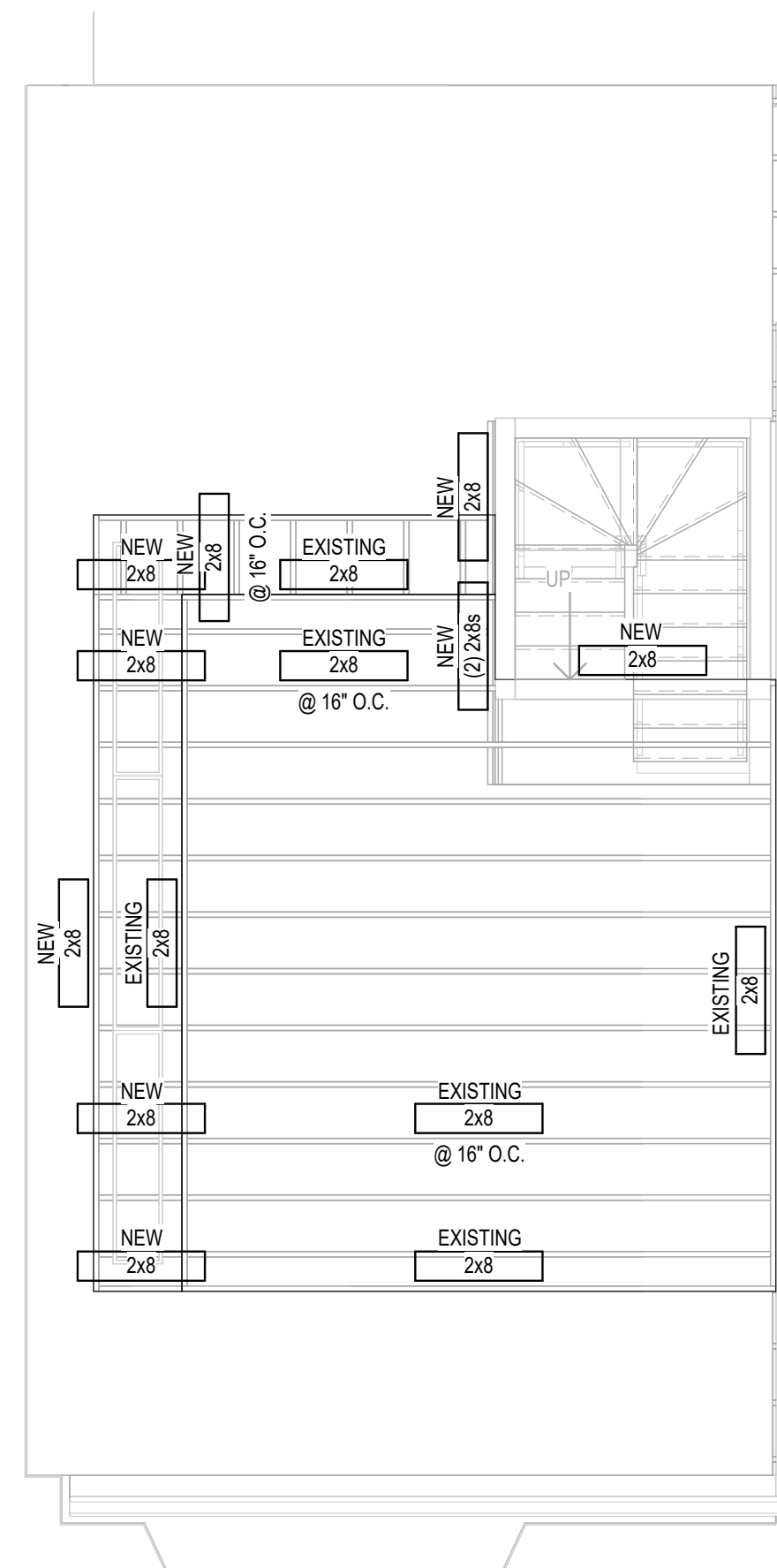
7 Smith Court
Boston, Massachusetts

A1.1

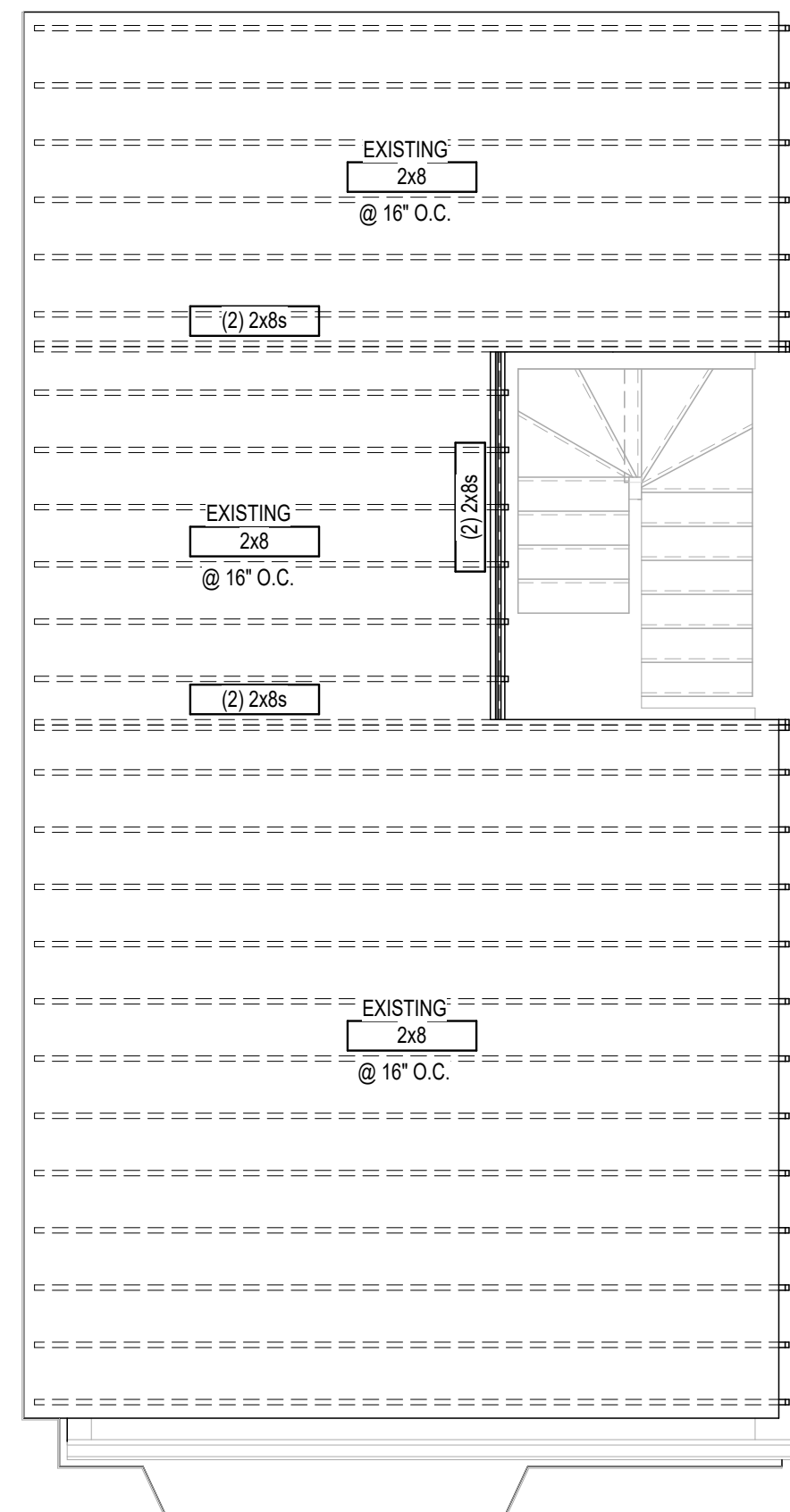
CONDITIONS LEGEND	
NEW CONSTRUCTION	
EXISTING TO REMAIN	
DEMOLISHED	



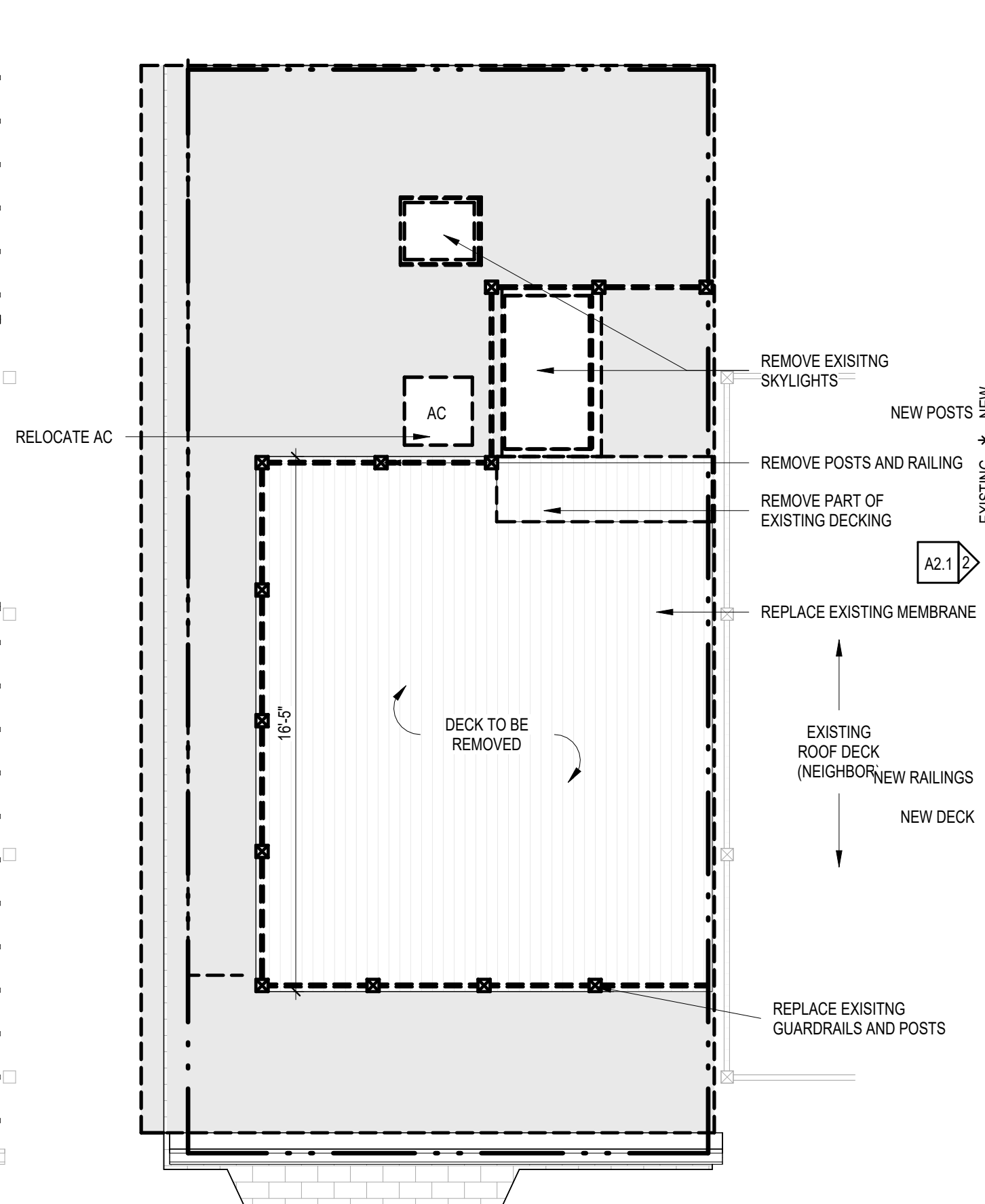
5 MOCK DESIGN



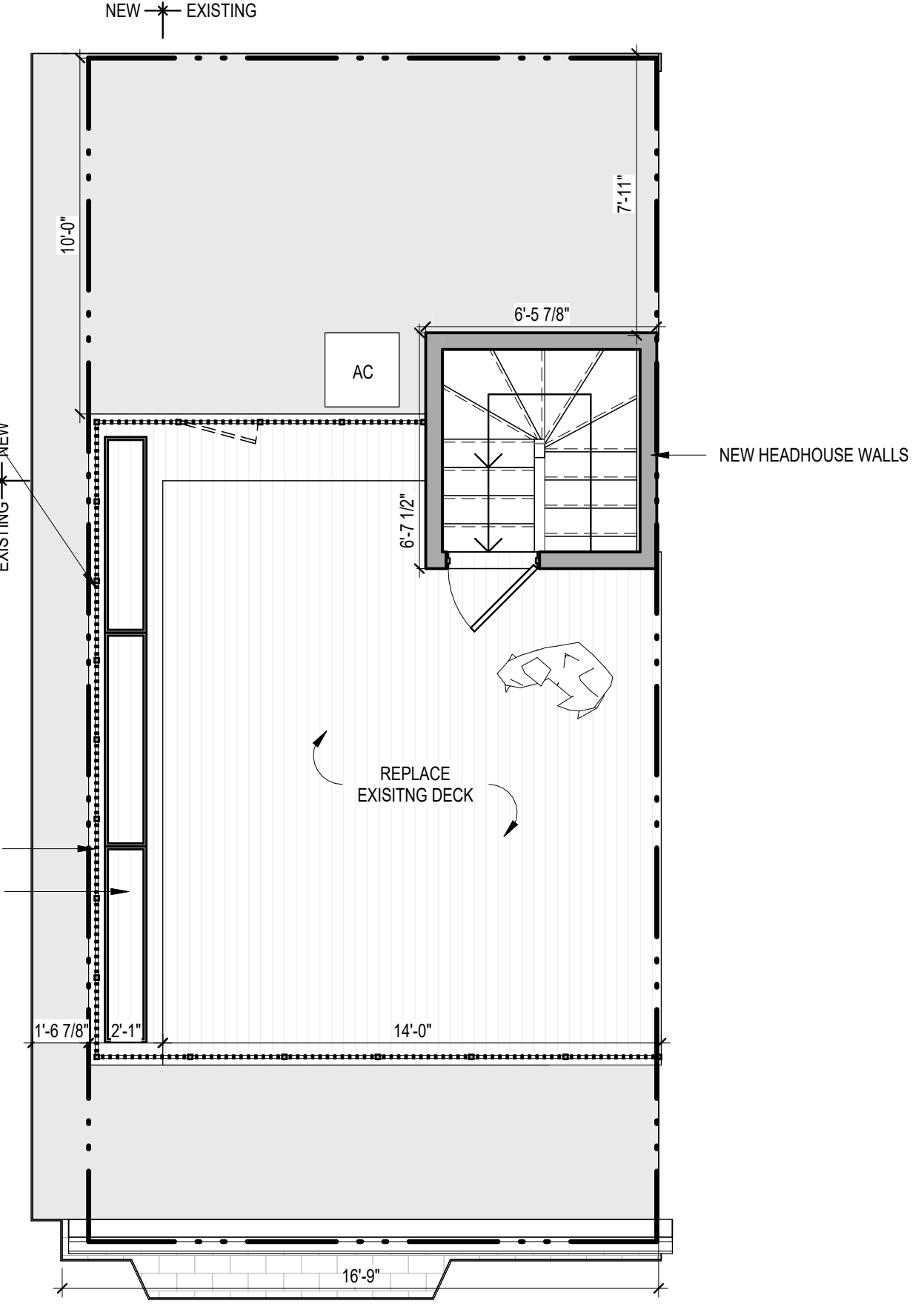
4 DECK FRAMING PLAN
1/4" = 1'-0"



3 ROOF FRAMING PLAN
1/4" = 1'-0"



2 ROOF DEMO
1/4" = 1'-0"



1 ROOF DECK PROPOSED
1/4" = 1'-0"